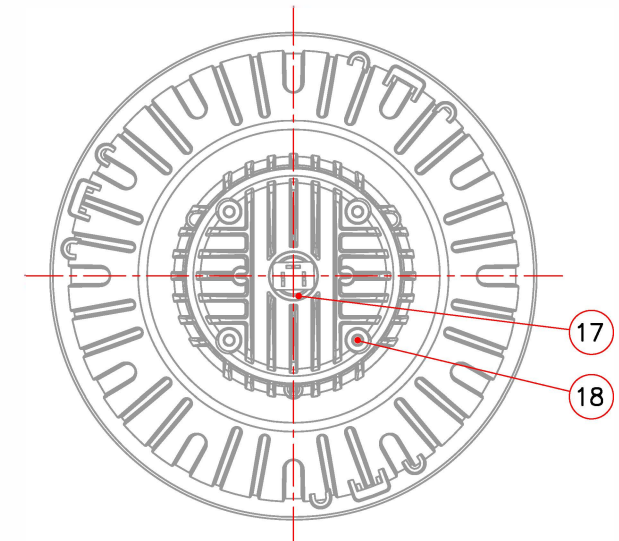
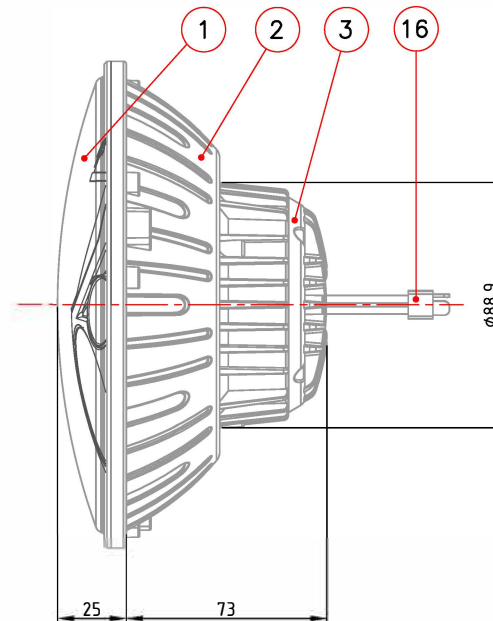
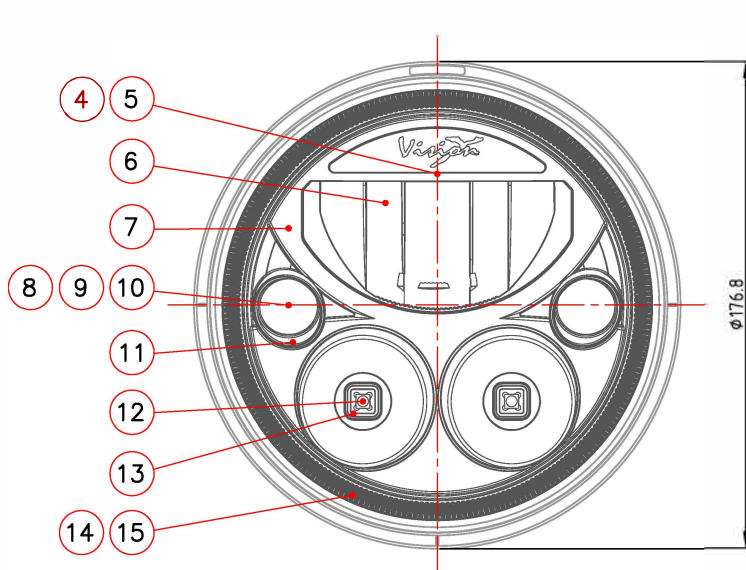


ISO-VIEW

**[SPECIFICATION]**

1. OPERATING VOLTAGE : DC 9V ~ 32V
2. WATTAGE
  - a) Hi : 18W
  - b) Low : 23W
  - c) Halo : 6W
3. LED
  - a) Hi : XML (Cree) 10W x2
  - b) Low : Altilon-C4 (Philips) 13W x1  
XPG2 (Cree) 5W x2
  - c) Halo : Luxeon 3014 (Philips) 0.2W x30
4. LUMINOUS FLUX : - (lm)
5. REFLECTOR : PC
6. WEIGHT : 0.9 (kg)
7. VIBRATION : - (Grms)
8. WEATHER PROOF & DUST RESISTANCE
9. TEMPERATURE : -40 °C ~ 85 °C
10. LIFE : 50,000 (Hr)
11. IP RATING : IP68

18	REAR FIX-BOLT	ALLEN/SUS304/M4X10(NYLOK/BLK)	4	
17	WIRE-BUSHING	SILICONE(BLK)	1	
16	CABLE-ASSY	4P/AWG18/200mm	1	
15	HALO-RING	PC(DIFFUSE)	1	
14	HALO-PCB	PHILIPS LUXEON_3014 (0.2WX30LED)	1	
13	REFLECTOR-GUIDE	PC(Vacuum Evaporation Coating)	2	
12	MAIN-PCB	CREE-XML (10WX2LED)	1	
11	GUIDE-HOLDER	PC(BLK)	2	
10	LENS-HOLDER	LL01ZZCL60H2	2	
9	LENS	ELLIPTICAL (30/65DEG)	2	
8	LOW-LED XPG	CREE-XPG2 (5WX2LED)	2	
7	REFLECTOR-HIGH	PC(Vacuum Evaporation Coating)	1	
6	REFLECTOR-LOW	PC(Vacuum Evaporation Coating)	1	
5	LED-LOW	PHILIPS ALTILON-C4	1	
4	LED-LOW BLOCK	ALDC10(BLK/POWDER-COATING)	1	
3	REAR-COVER	ALDC10(BLK/POWDER-COATING)	1	
2	BODY	ALDC10(BLK/POWDER-COATING)	1	
1	TOP-COVER	PC(CLEAR)	1	
NO	PARTS NAME	SPEC (FINISHING)	Q'TY	REMARK



UNIT	mm	DRAWING	CHECK	APPROVAL	TITLE <b>7" LED Headlight[DOT]</b> [P/N FT-7RD-HL]
TOL.	±0.2	<b>S.G.PARK</b>			
SCALE	1:1				
DATE		2014.08.21			
<b>FIRETECH</b> SMALLER LED LIGHTING					DRAWING NO. VX-BD-0000-0